

4MP HD ColorHunter Wide Angle Fixed Bullet Network Camera

GV-B4MP-IP-2*4-IR30C



Key Features

- High quality image with 4MP, 1/2.9"CMOS sensor
- 4MP (3840*1080)@25fps
- The double lens splicing technology is adopted to realize the horizontal viewing angle of $160.00^{\circ} \pm 10^{\circ}$
- Ultra 265, H.265, H.264, MJPEG
- Support Human Body Detection
- Color hunter technology ensures 24-hour full-color images
- Alarm:1 in/1 out
- Audio: 1 in/1 out
- Built-in speaker and dual mics
- Support 256 GB micro SD card
- 12V DC/PoE power supply

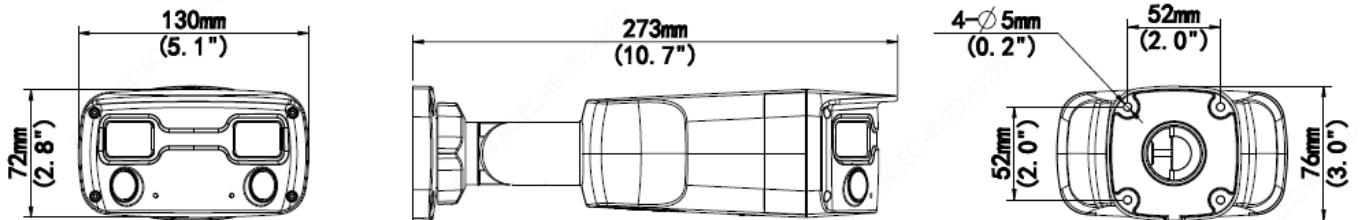
Specifications

Model	GV-B4MP-IP-2*4-IR30C				
Camera					
Sensor	1/2.9", 4.0 megapixel, progressive scan, CMOS				
Minimum Illumination	Color: 0.0005Lux (F1.0, AGC ON)				
Shutter	Auto/Manual, 1 ~ 1/100000s				
Adjustment angle	Pan: 0° ~ 360°	Tilt: 0° ~ 90°		Rotate: 0° ~ 360°	
WDR	DWDR				
S/N	>56dB				
Lens					
Lens	2 * 4.0mm@F1.0				
Angle of View (H)	160.00° ± 10°				
Angle of View (V)	43.22°				
Angle of View (O)	180.13° ± 10°				
DORI					
DORI Distance	Lens (mm)	Detect (m)	Observe (m)	Recognize (m)	Identify (m)
	4.0	64.3	25.7	12.9	6.4
Illuminator					
LED Distance	Up to 30m (98ft)				
LEDs Number	2				
LED On/Off Control	Auto/Manual				
Video					
Video Compression	Ultra265, H.265, H.264, MJPEG				
H.264 code profile	Baseline profile, Main profile, High profile				
Frame Rate	Main Stream: 4MP (3840*1080), Max 25fps Sub Stream: 1920*540, Max 25fps				
Video Bit Rate	128 Kbps~16 Mbps				
U-code	Support				
ROI	Up to 8 areas				
Video Stream	Double streams				
OSD	Up to 8 OSDs				
Privacy Mask	Up to 4 areas				
Image					
White Balance	Auto/Outdoor/Fine Tune/Sodium Lamp/Locked/Auto2				
Image Setting	Brightness, saturation, contrast, sharpness, gain adjustable by web browser				
Digital noise reduction	2D/3D DNR				
Smart Illumination	Support				
Flip	N/A				
Dewarping	N/A				
HLC	Support				
BLC	Support				
Defog	Digital Defog				
Events					

Basic Detection	Human Body Detection ,motion detection, tampering alarm, audio detection
General Function	Watermark, IP address filtering, Alarm input, Alarm output, access policy, ARP protection, RTSP authentication, user authentication
Audio	
Audio Compression	G.711
Audio Bitrate	64 Kbps
Two-way audio	Support
Suppression	Support
Sampling Rate	8KHZ
Storage	
Edge Storage	Micro SD, up to 256GB
Network Storage	ANR, NAS(NFS)
Network	
Protocols	IPv4, IGMP, ICMP, ARP, TCP, UDP, DHCP, PPPoE, RTP, RTSP, RTCP, DNS, DDNS, NTP, FTP, UPnP, HTTP, HTTPS, SMTP, 802.1x, SNMP, QoS, RTMP,SSL/TLS, SSH
Compatible Integration	ONVIF (Profile S, Profile G, Profile T), API,SDK
User/Host	Up to 32 users. 2 user levels: administrator and common user
Security	Password protection, Strong password, HTTPS encryption, Export operation logs, Basic and digest authentication for RTSP, Digest authentication for HTTP, TLS 1.2, WSSE and digest authentication for ONVIF
Client	APP: Guard Viewer CMS: Guard Station Tools: Guard Tools
Web Browser	See master list for latest compatibility
Interface	
Audio I/O	Input: impedance 35kΩ; amplitude 2V [p-p]
	Output: impedance 600Ω; amplitude 2V [p-p]
Alarm I/O	1/1
RS485	N/A
Built-in Mic	Built-in two mics
Built-in Speaker	Support
WIFI	N/A
Network	1 RJ45 10M/100M Base-TX Ethernet
Video Output	N/A
Certifications	
EMC	FCC CFR 47 Part 15
	EN 55032:2015
	EN 55024:2010
	EN 61000-3-2:2014 EN 61000-3-3-2013
Safety	IEC 62368-1
	EN 62368-1
	UL 62368-1
Environment	CE-ROHS (2011/65/EU;(EU)2015/863); WEEE (2012/19/EU); REACH (Regulation (EC) No 1907/2006)
General	
Power	DC 12V±25%, PoE (IEEE 802.3af)
	Power consumption: Max 6.5W

Power Interface	Ø 5.5mm coaxial power plug
Dimensions (L × W × H)	273 × 130 × 76mm (10.7" × 5.1" × 3.0")
Weight	0.95kg (2.09lb)
Material	Metal
Working Environment	-30°C ~ 60°C (-22°F ~ 140°F), Humidity: ≤95% RH (non-condensing)
Storage Environment	-30°C ~ 60°C (-22°F ~ 140°F), Humidity: ≤95% RH (non-condensing)
surge protection	4KV
Reset Button	Support
Protection	Ingression protection: IP67 Vandal resistant: N/A

Dimensions

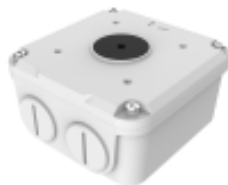


Accessories

GV-JB7D



GV-JB6A

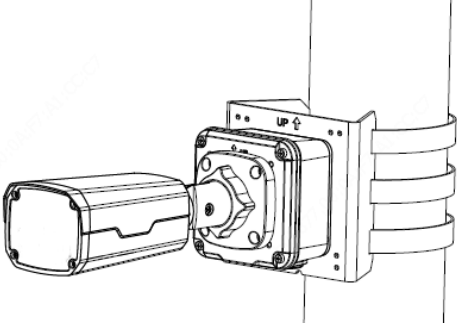
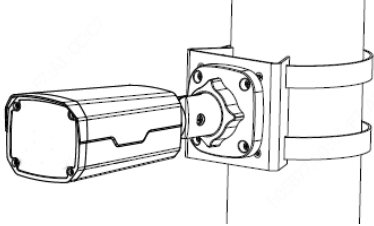


GV-PS6B



GV-PS6C



Junction Mount/Pole Mount	Pole Mount
GV-JB7D(GV-JB6A) + GV-PS6C	GV-PS6B
 A technical line drawing showing a ZUUM junction box assembly. It consists of a rectangular junction box (GV-JB7D/GV-JB6A) mounted on a vertical pole. A cylindrical component (GV-PS6C) is attached to the front of the junction box. The pole is secured with a metal band.	 A technical line drawing showing a ZUUM pole mount assembly. It features a cylindrical component (GV-PS6B) mounted on a vertical pole. The pole is secured with a metal band.